

# REKLO



## Door closer hinges

- For internal, external and escape route aluminium doors
- Opening up to 180° with damper from 170° to 180°
- Adjustable latch and closing speed
- Compact design
- Certified according to standards EN 1154: 2006 and EN 1935: 2002 + AC: 2003



**ADVANCED PRECISION MICROTECHNOLOGY BY SAVIO**

The hydraulic system that makes it possible to reclose the door is made with high-precision internal components that guarantee excellent reliability over time.

# THE ERA OF DOOR CLOSERS IS OVER. NOW IS THE ERA OF SAVIO REKLÒ

## **Reklò 2-in-1**

Savio introduces Reklò, the innovative solution for door-closing systems that combines 2 products into 1 – hinge and door closer – to achieve a superior efficiency level.

## **Easy and quick application**

Reklò is assembled as easily as a traditional hinge. In fact, on Eurogroove profiles, with a 10/12-mm step and 5-mm clearance, including with reduced sections, it requires no machining. A further simplification is that it also does not require any masonry work in case of applications limited to 90° with adjacent walls.

## **TUV-tested performance**

Reklò was tested with 2 hinges according to the stringent European standards from the TUV, which certify its use for doors weighing up to 120 kg in class force 3.

## **Discreet design**

Compared to traditional door closers, Reklò features an attractive and non-invasive look, that fits in well in any room.

It is available in a wide range of finishes (paintable or anodizable).



# SAVIO REKLÒ. THE NEW HINGE WITH BUILT-IN DOOR CLOSER

[savio.it](http://savio.it)

Savio Reklò. It closes with the past,  
opens to innovation

**SAVIO**  
Open mind for closing systems.

Reklò for escape route doors: it guarantees reliability and long service life in high people traffic situations, where the hinge is subjected to severe stress



Reklò for interior doors: its attractive and non-invasive visual impact allows it to be installed in any location

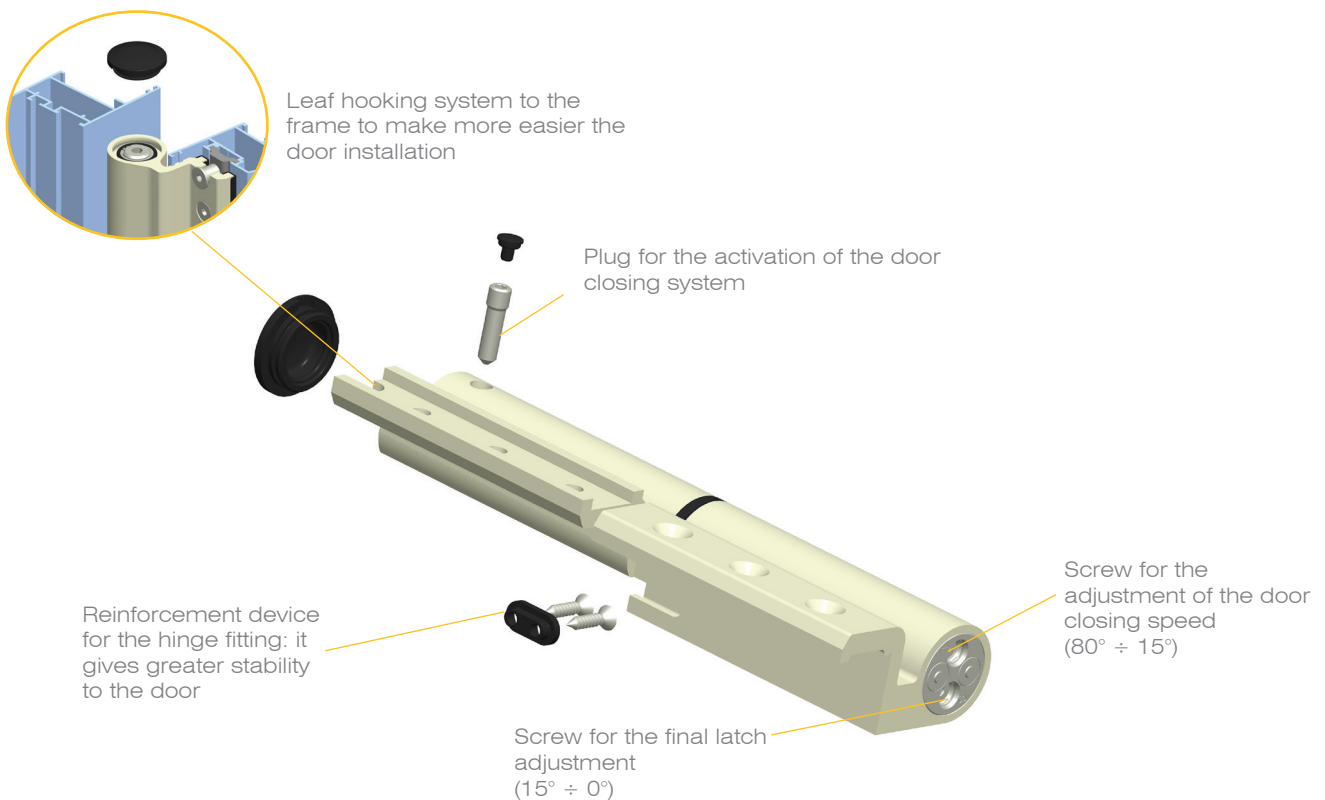


## Leaf moving



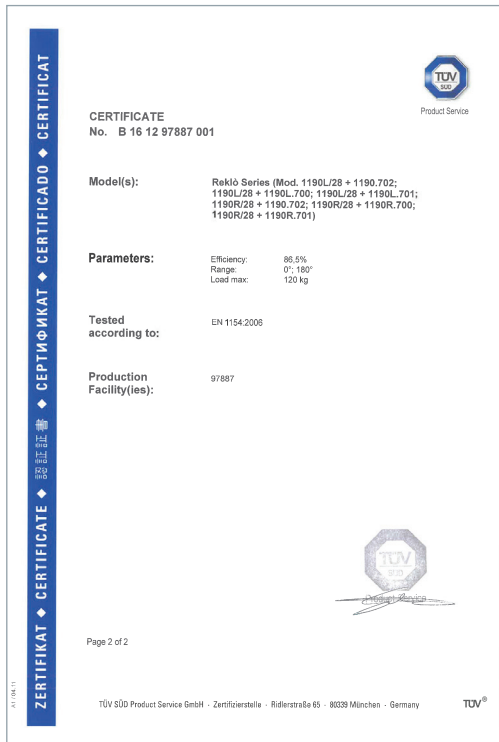
Opening up to 180° with limit switch dampened from 170° to 180°.  
The door closing mode activates itself starting from 80°.

## Main features



## Certifications

Tested according to standard EN 1154 : 2006 for door closing devices and according to standard EN 1935 : 2002 + AC : 2003 for hinges that allow its application on escape routes as well. It obtained the CE marking.



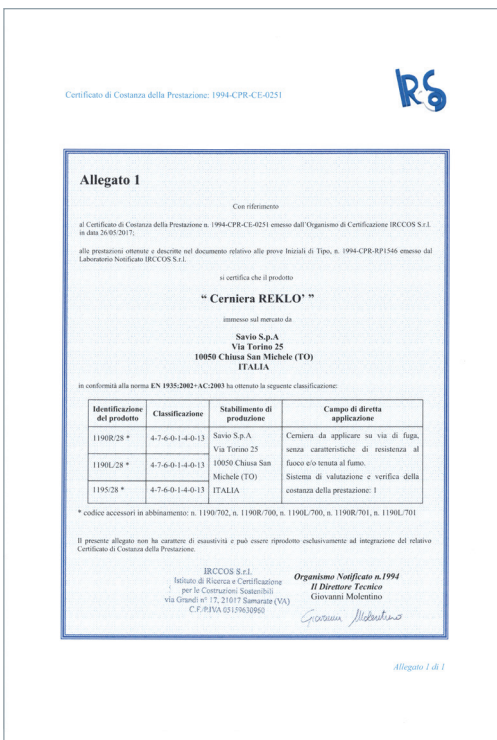
STANDARD EN 1154 : 2006					
1 <sup>a</sup>	2 <sup>a</sup>	3 <sup>a</sup>	4 <sup>a</sup>	5 <sup>a</sup>	6 <sup>a</sup>
3	8	3	0	1	4*
		6W			

w : for weight capacity up to 120 Kg

1<sup>a</sup> Category of use; 2<sup>a</sup> Durability; 3<sup>a</sup> Closing force; 4<sup>a</sup> Suited for fire-resistant doors; 5<sup>a</sup> Safety; 6<sup>a</sup> Corrosion resistance

FEASIBLE CONFIGURATIONS (1190x = 1190L or 1190R)	
Config 1	n° 1 pcs. 1190x/28 + n° 1 pcs. 1195/28
	Force 2   Door max weight 80 Kg
Config 2	n° 2 pcs. 1190x/28
	Force 3   Door max weight 120 Kg
Config 3	n° 3 pcs. 1190x/28
	Force 4   Door max weight 120 Kg

\* : according to the standard EN 1670, it was reached the grade 5 (480 hours in salt spray), corresponding to an exceptional resistance to corrosion



STANDARD EN 1935 : 2002 + AC : 2003							
1 <sup>a</sup>	2 <sup>a</sup>	3 <sup>a</sup>	4 <sup>a</sup>	5 <sup>a</sup>	6 <sup>a</sup>	7 <sup>a</sup>	8 <sup>a</sup>
4	7	6	0	1	4*	0	13

1<sup>a</sup> Category of use; 2<sup>a</sup> Durability; 3<sup>a</sup> Test door mass; 4<sup>a</sup> Suited for fire-resistant doors; 5<sup>a</sup> Safety; 6<sup>a</sup> Corrosion resistance; 7<sup>a</sup> Anti-burglar resistance; 8<sup>a</sup> Hinge grade

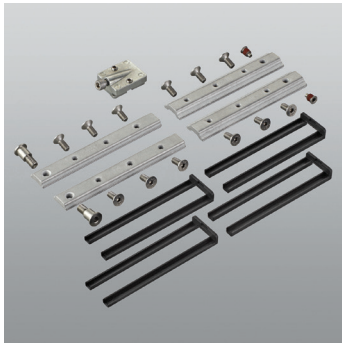




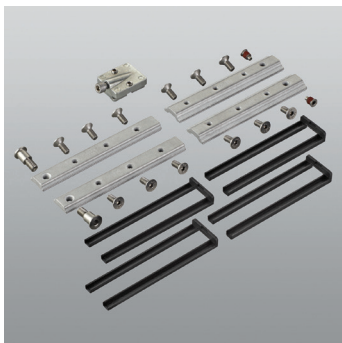
Item	Description	Pcs.	Finishes
1190R/28	REKLÒ 2-wing door closer hinge, RH pre-assembled, in coated or anodized aluminium, internal mechanism in galvanized steel, nickel, stainless steel and brass, rubber gaskets, 1 stainless steel stiffening snap, 2 white galvanized countersunk head screws 3.5x16, 1 black nylon upper cap.	4	9005, 9010, BL10, SILV, F
1190L/28	Like art. 1190R/28 but LH pre-assembled.	4	9005, 9010, BL10, SILV, F



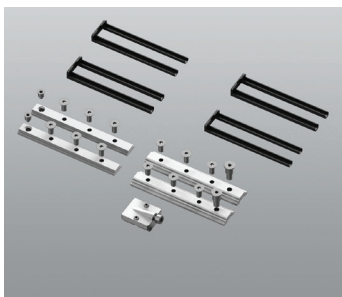
Item	Description	Pcs.	Finishes
1195/28	2-wing adjustable door hinge made of aluminium, centre of rotation 26.5 mm, 1 stainless steel pin Ø 11 mm, pre-assembled on nylon cam bushing device, 1 self-lubricating bushing and 1 cap in nylon. Weight capacity: 2 hinges 120 Kg.	4	9005, 9010, BL10, SILV, F



Item	Description	Pcs.	Finishes
1190R.700	RH aluminium fitting kit for Eurogroove profiles (frame grooves 14-18 mm), including: 2 stainless steel pins for sash wing clamping, 2 counterplates for sash wing and 2 counterplates for RH frame wing in rough aluminium, 2 spacers of 1 mm and 2 spacers of 2 mm in black nylon for sash, 12 socket head cap screws M5x12 in stainless steel, 2 T15 special grub screws M6x8.8 in stainless steel and 1 adjustment group in white galvanized zamak composed of 2 grub screws PCOP M5X6 and 2 socket head cap screws M5x35 in stainless steel, pre-assembled.	2	
1190L.700	Like art. 1190R.700 but LH.	2	



Item	Description	Pcs.	Finishes
1190R.701	RH aluminium fitting kit for Eurogroove/NC Int. profiles (frame grooves 13-16.5 mm), including: 2 stainless steel pins for sash wing clamping, 2 counterplates for sash wing and 2 counterplates for RH frame wing in rough aluminium, 2 spacers of 1 mm and 2 spacers of 2 mm in black nylon for sash, 12 socket head cap screws M5x12 in stainless steel, 2 T15 special grub screws M6x8.8 in stainless steel and 1 adjustment group in white galvanized zamak composed of 2 grub screws PCOP M5X6 and 2 socket head cap screws M5x35 in stainless steel, pre-assembled.	2	
1190L.701	Like art. 1190R.701 but LH.	2	



Item	Description	Pcs.	Finishes
1190.702	Non-handed aluminium fitting kit for Eurogroove profiles (frame grooves 10-14.3 mm), including: 2 stainless steel pins for sash wing clamping, 2 counterplates for sash wing and 2 counterplates for frame wing in rough aluminium, 2 spacers of 1 mm and 2 spacers of 2 mm in black nylon for sash, 12 socket head cap screws M5x12 in stainless steel, 2 T15 special grub screws M6x8.8 in stainless steel and 1 adjustment group in white galvanized zamak composed of 2 grub screws PCOP M5X6 and 2 socket head cap screws M5x35 in stainless steel, pre-assembled.	2	

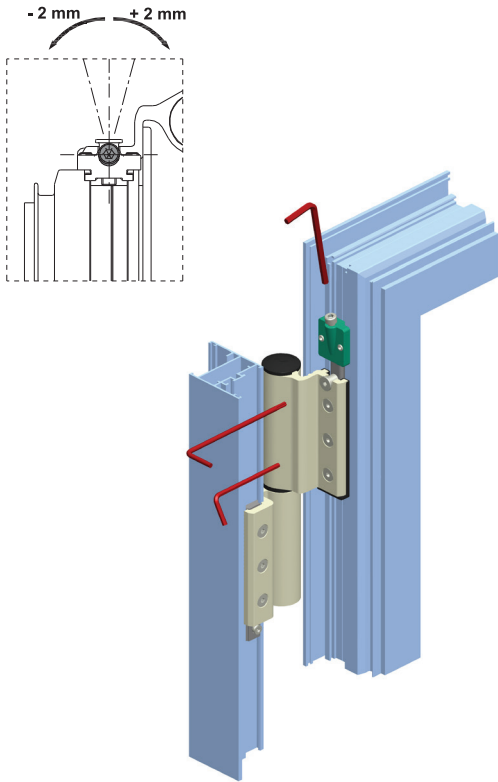


Item	Description	Pcs.	Finishes
1190.901	Black nylon drilling jig for stiffening snap and upper hinge positioning, for items 1190R/28 - 1190L/28.	1	

## Adjustments

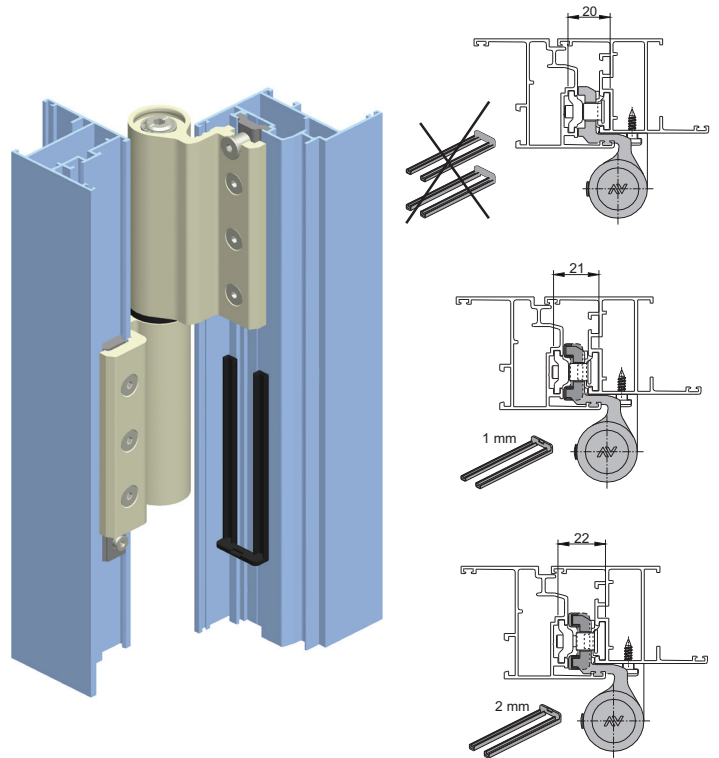
### HEIGHT ADJUSTMENT

After loosening the 3 fixing screws of the upper and lower hinge using an Allen wrench, use the height adjustment screw to adjust the leaf (+2/-2 mm). Lastly, tighten once again the fixing screws.



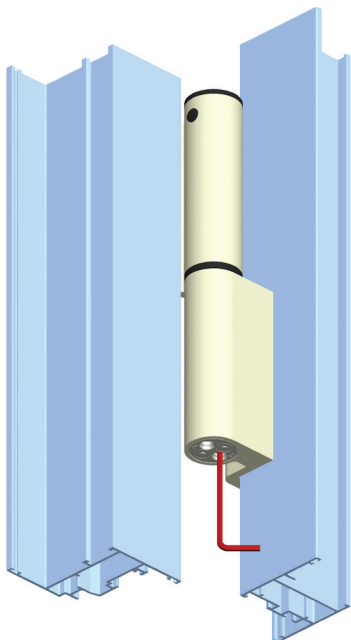
### LATERAL ADJUSTMENT

By means of nylon shims.



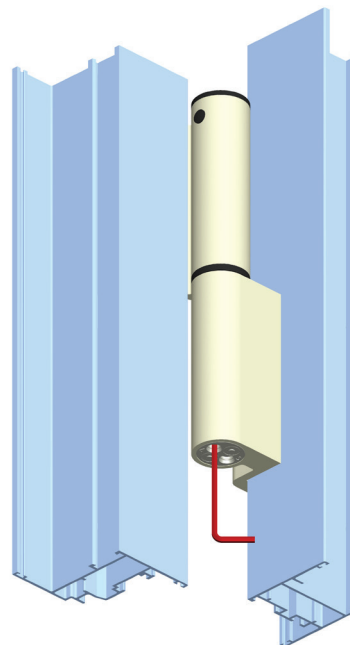
### SPEED

Using an Allen wrench, you can adjust the closing speed of the leaf. The leaf closing speed can be reduced to less than 3 seconds with leaf stopped.



### SPEED FINAL LATCH

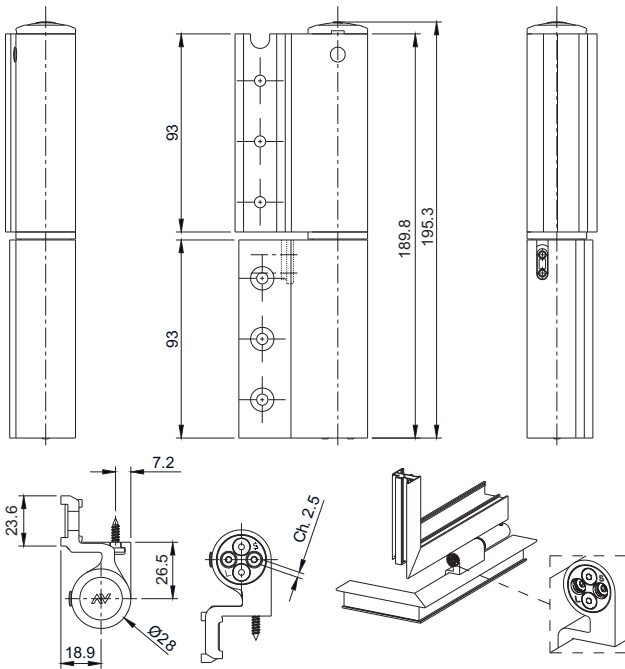
Using an Allen wrench, you can adjust the speed of the final latch by accelerating the speed in the last 15°, in order to ensure a safe closing of the lock.



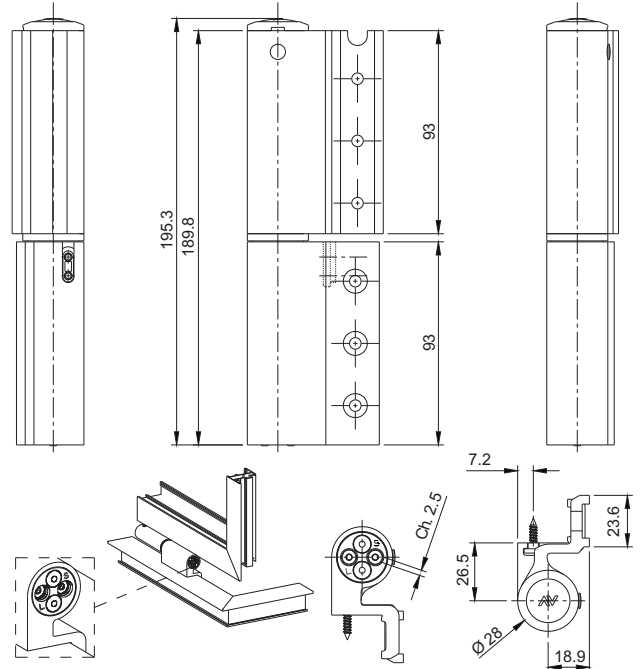


Door closer hinges REKLÒ and traditional model

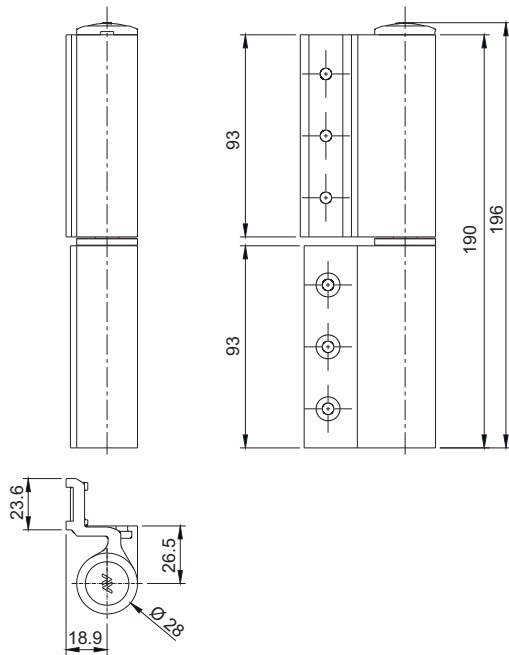
1190R/28



1190L/28

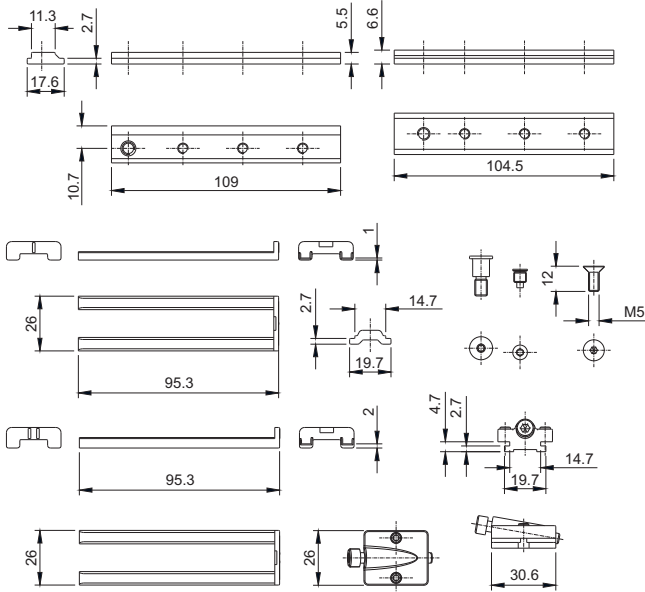


1195/28

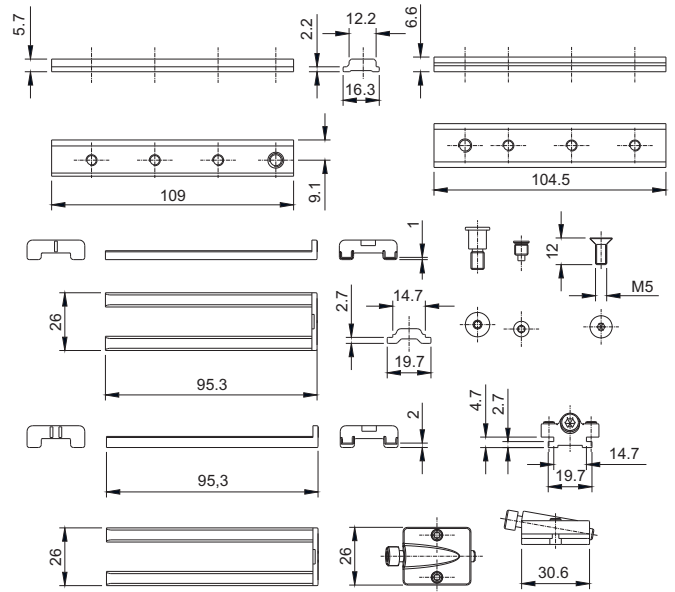


Accessories

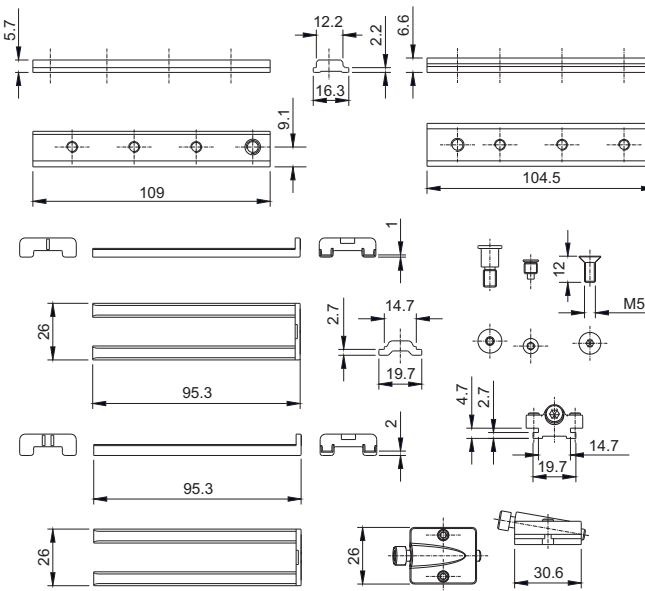
1190R.700



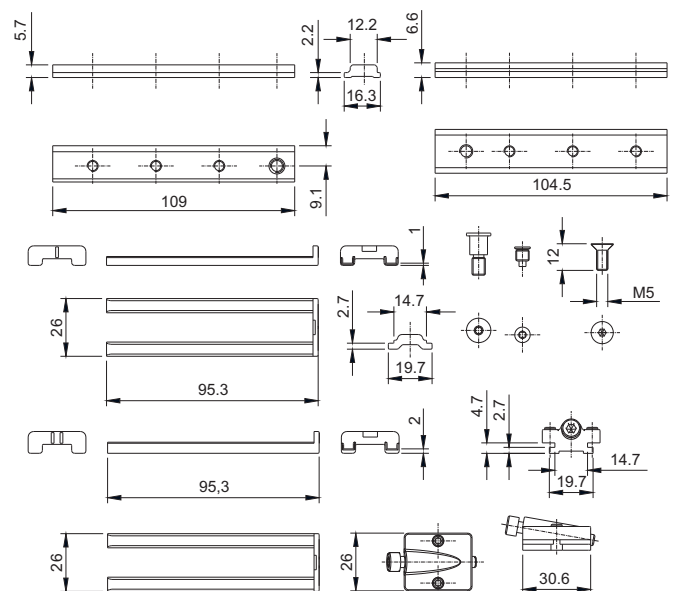
1190L.700



1190R.701

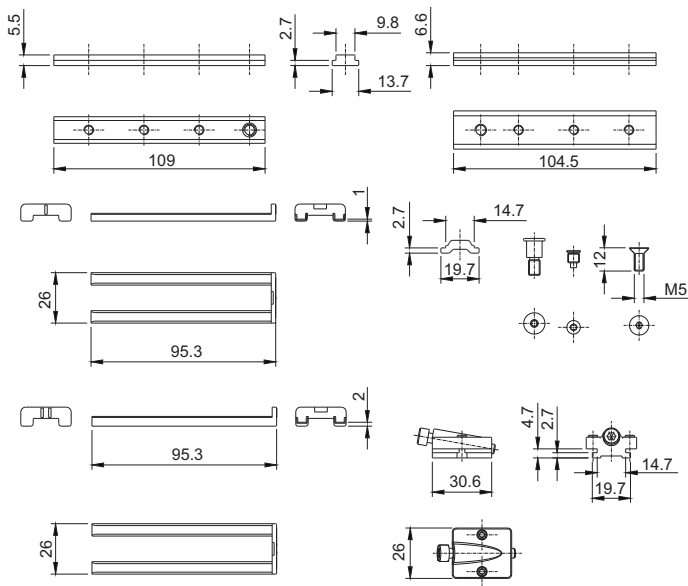


1190L.701

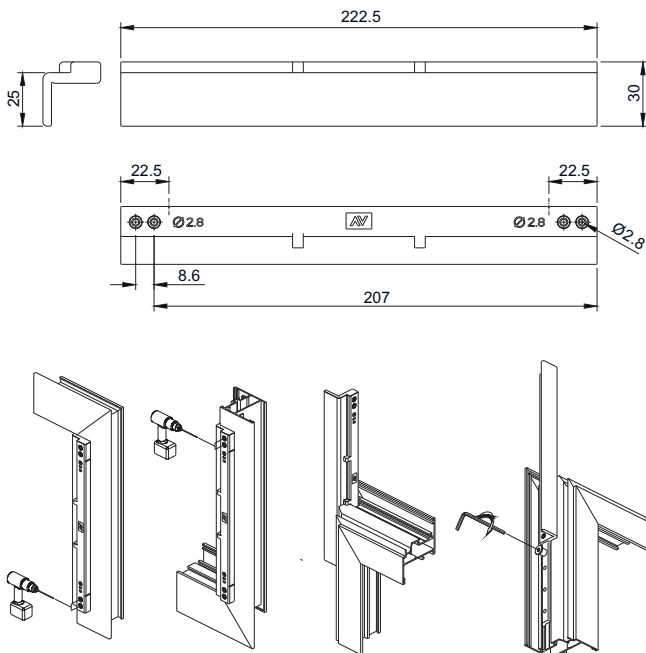


Accessories

1190.702



1190.901





Savio S.p.A.  
Via Torino, 25 (S.S. 25) - 10050 Chiusa S. Michele (TO)  
Tel. +39 011 964 34 64 - Fax +39 011 964 34 74  
[www.savio.it](http://www.savio.it) - [export@savio.it](mailto:export@savio.it)

