

JUVARRA

PANIC-DEVICE SYSTEM



New panic bar with updated look and compact size

New flat latch
2,000,000 tested cycles on a 300-kg door

Juvarra.

You can recognize a Savio interior by the details that provide security.

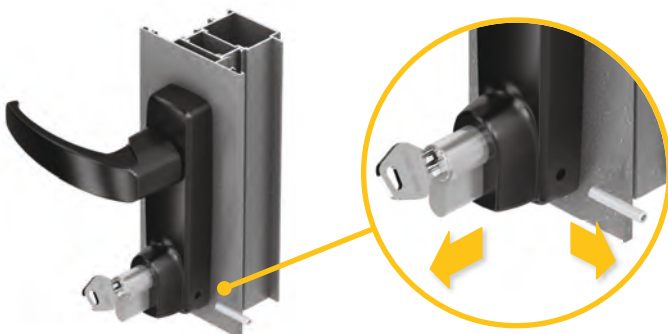
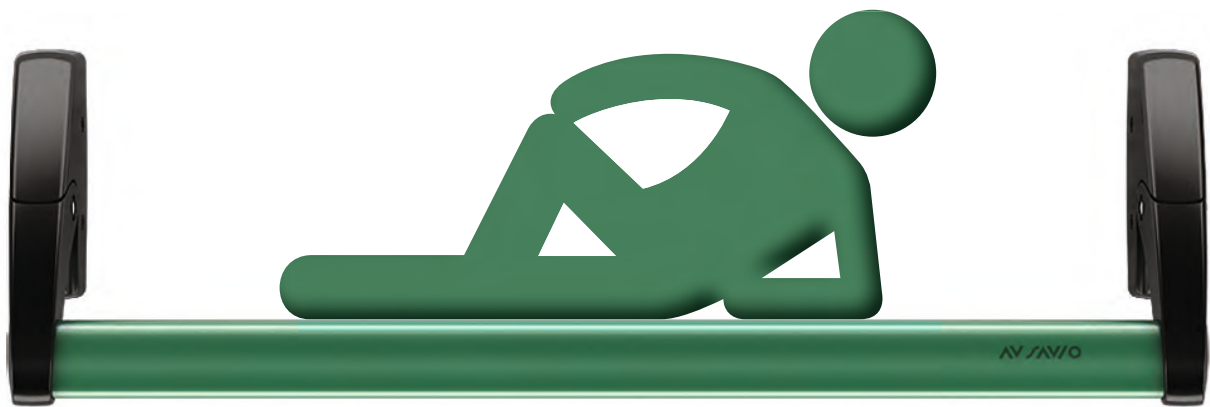
Double leaf.

flat latch: the only solution that completely eliminates any jamming during the opening phase when using two leaves.

Moreover, the manoeuvre strain is extremely reduced thanks to the insert in self-lubricating nylon.



Relax, no need to
panic about safety.



Restoring the cylinder has never been so simple.

Thanks to Juvarra, you can replace the cylinder without having to disassemble the internal part of the panic bar. An innovation that is very useful in case of solutions with master key or other special organization chart solution. Its convenience is even clearer in case of large worksites, when the cylinder supplied as standard equipment is replaced with the permanent cylinder once the work is delivered: this operation is so simple that even the client can do it. Juvarra, the problem-free panic bar.

New Juarra panic bar by Savio.

Attractive look and discretion

The new Juarra panic bar features a streamlined and compact design that makes it attractive and discreet at the same time.

Record resistance

For Juarra, Savio created components specifically designed to cut down on wear and reduce friction, in both the materials and in the shapes. This has resulted in truly superior resistance and durability, as proven by the 2,000,000 cycles reached during the testing.

Double leaf

Flat latch: the only solution that completely eliminates any jamming during the opening phase when using two leaves. Moreover, the manoeuvring strain is extremely reduced thanks to the insert in self-lubricating nylon.

Anti-burglar security

Additional security is added to a product already designed to be sturdy: the shape of the latch, which offers greater resistance against burglary attempts.

Certified weight capacity

Savio Juarra has been tested up to 2,000,000 cycles, on 300-kg doors in accordance with standard EN 1125:2008.



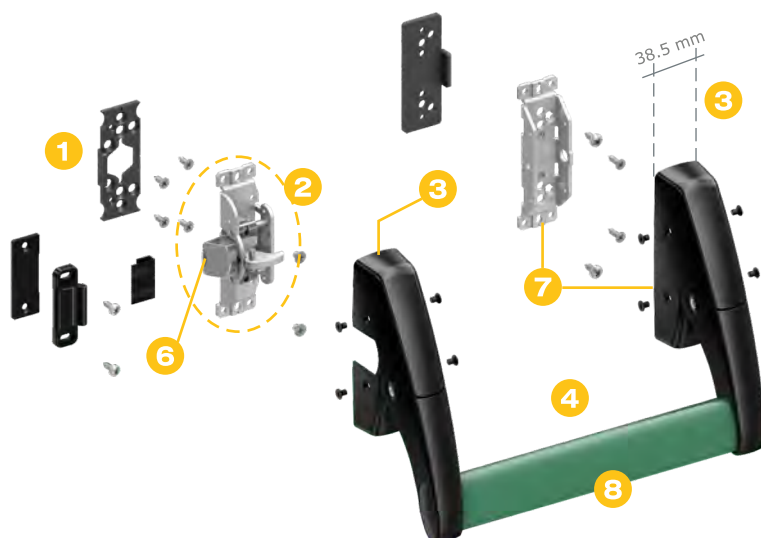
Juarra Panic Bar.
Security to 360°.

JUVARRA panic bar



**FIRST YOU INSTALL IT,
THEN.. YOU FORGET IT**

2,000,000 tested cycles:
10 times the maximum
number required by
applicable regulations!

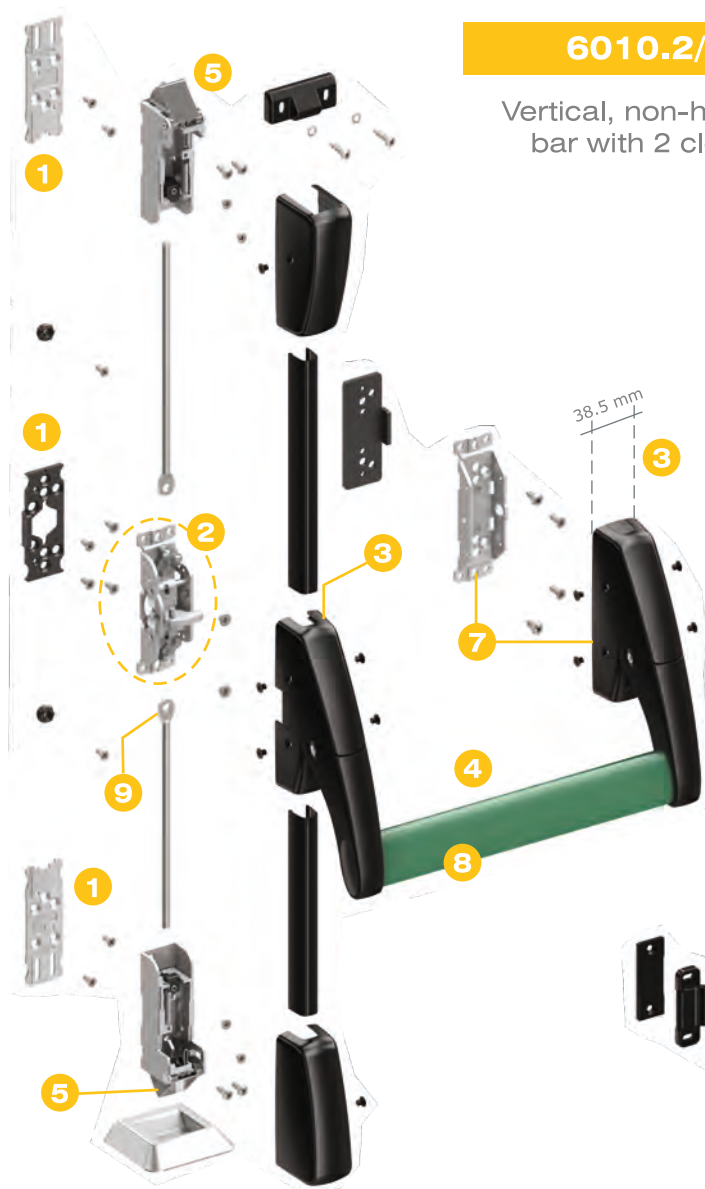


6010.1/1200

Horizontal, non-handed panic
bar with 1 closing point.

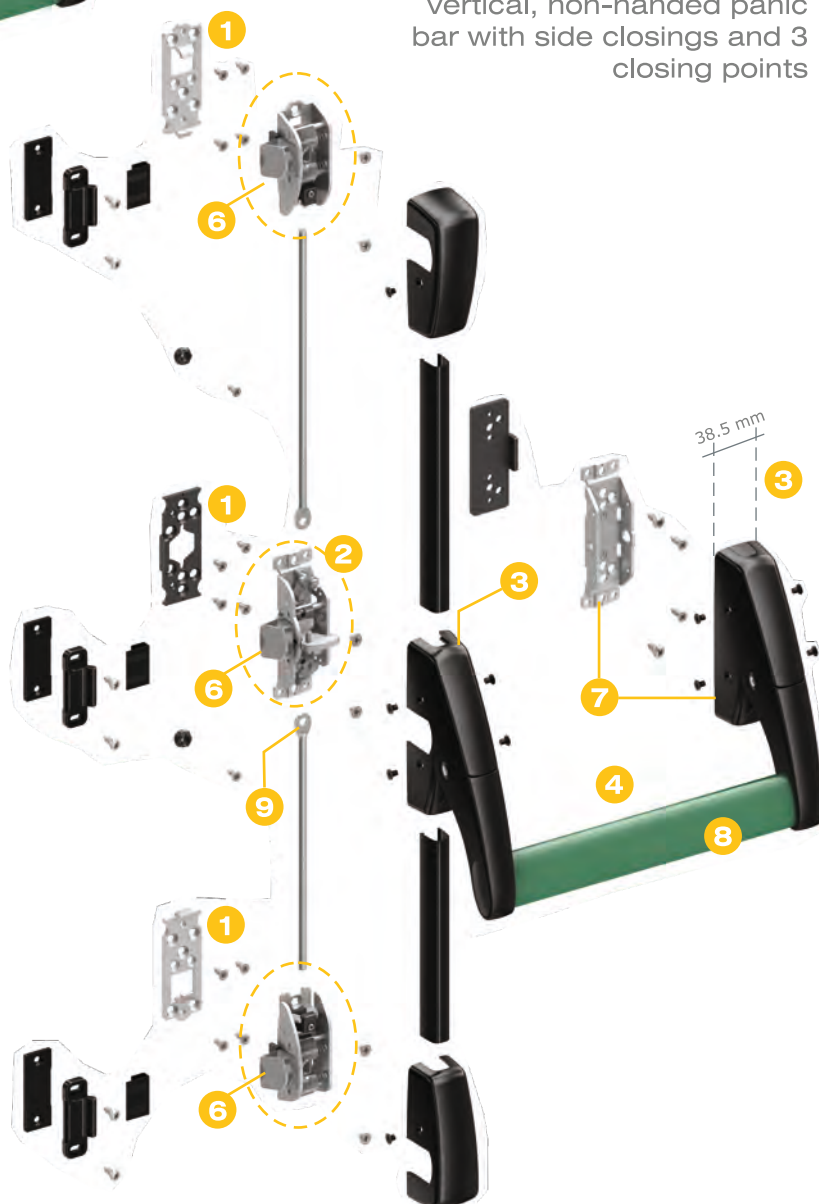
6010.2/1200

Vertical, non-handed panic bar with 2 closing points.



6010.3/1200

Vertical, non-handed panic bar with side closings and 3 closing points



- 1** All supports and latches are screwed onto steel **counterplates** (which can also be welded) for **easy, solid and fast fixing**
- 2** **Completely non-handed mechanism**
- 3** Reduced overall dimensions (**38.5 mm**) for assembly to standard profiles too
- 4** Horizontal bars with side profiles for **better manoeuvrability**
- 5** **Adjustable** high and low latches, with **anti-burglar device**
- 6** **Flat and translating side latches** (top, bottom, middle)
- 7** Secondary support pre-set for fitting the **dogging mechanism** and the **microswitch**
- 8** Horizontal bar to be inserted with **wide machining tolerances**, made of steel with 40-mm oval cross-section
- 9** **Simplified rod coupling**

Panic bar certifications.

JUVARRA was tested based on standard EN 1125:2008, according to the certificates issued in compliance with Regulation (EU) on Construction Products 305/2011 of the European Parliament and Council of 9th March 2011, by the French certification institute AFNOR, which is authorized at the European level to grant use of the EC mark. Its identification number is 0333. The tests were conducted at the prestigious CETIM Institute in S. Etienne (France).

The products listed in the certificate ensure a high number of utilization cycles (200,000 cycles) that allow frequent use. This data, combined with other important elements that make it possible to evaluate the performance level of the product, is provided here below.



The various obtainable levels:
(in bold the levels obtained by JUVARRA)

3 7 7 0 1 4 2 2 A A

Category of use:
Grade 3: high frequency of use by public

Durability:
Grade 6: 100,000 opening/closing cycles
Grade 7: 200,000 opening/closing cycles

Max. door weight:
Grade 6: up to 200 kg
Grade 7: over 200 kg

Suited for application on fire-resistant doors:
Grade 0: not suited
Grade B: suited for fire-resistant doors

Security:
Grade 1: the panic bar is safe for users

Field of application of the door:
Category A: one-leaf door,
two-leaf door: active or passive leaf;
Category B: only one-leaf door;
Category C: two-leaf door, passive leaf only

Type of bar operation:
Type A = panic device with push-bar operation
Type B = panic device with touch-bar operation

Bar height with respect to door surface:
Grade 1 = up to 150 mm
Grade 2 = up to 100 mm

Anti-burglar safety:
Grade 2: ensures proper Grade of anti-burglar security without impairing operation of the panic device

Corrosion resistance:
Grade 3: high resistance (96 hours in salt spray)
Grade 4: very high resistance (240 hours in salt spray)



We would like to remind you that standard EN 1125:2008 certifies applicable products up to a leaf size equal to a maximum width of 1,300 mm and a maximum height of 2,500 mm. For all doors with larger size, the product cannot be certified (6010.B/1500, 6010/721).

For applications with larger sizes not included in the field of certification, voluntary testing was conducted at the French CETIM laboratory.

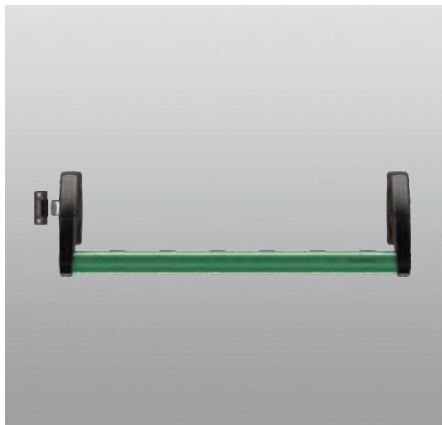
2,000,000 of cycles

Once number of 200,000 cycles (maximum Grade required by the standard) was reached, the test continued up to 2,000,000 cycles, as declared by the relevant certificate issued by AFNOR.

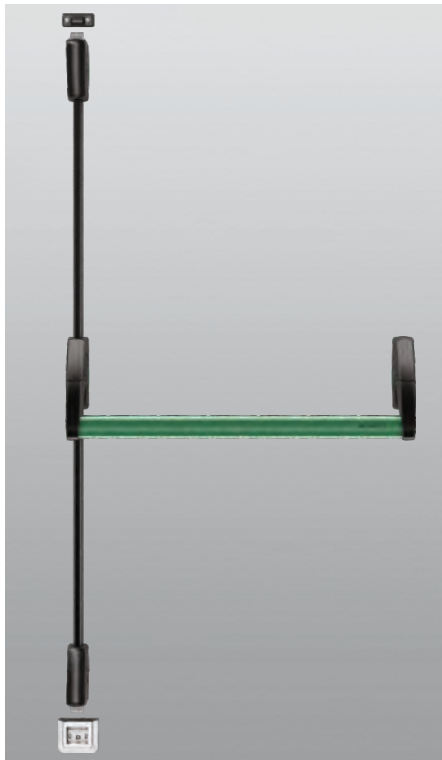


All certificates can be downloaded from our website www.savio.it.

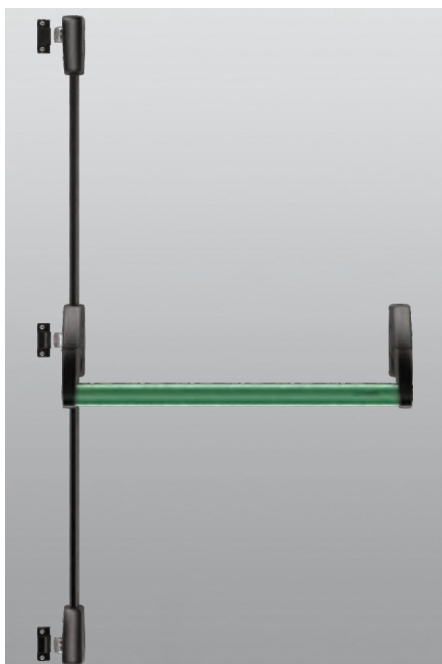
Complete kits



Article	Description	Pcs.	Finishes
6010.1/1200	JUVARRA (patented) Horizontal non-handed panic bar with 1 locking point, push-bar version, in zamak and galvanised steel. Complete with: latch bolt in nickel plated zamak, 1 counterplate in galvanised steel and 1 counterplate in nylon, 1200 mm bar and 2 keepers in painted zamak, 4 countersunk head screws Ø 4.2x13, 2 cap screws 4.2x13, 2 cap screws 4.8x13, 2 countersunk head screws Ø 4.2x16, 2 countersunk head screws M5x6 and 8 countersunk head screws M4x5 in galvanised steel. For doors with a clear width of 800 to 1240 mm and a max. height of 2450 mm.	1	3001, 6029, GREY



Article	Description	Pcs.	Finishes
6010.2/1200	JUVARRA (patented) Vertical rod non-handed panic bar with 2 locking points, push-bar version, in zamak and galvanised steel. Complete with: 3 counterplates in galvanised steel and 1 counterplate in nylon, 1200 mm bar and 1 keeper in painted steel, 1 floor-mounted keeper in stainless steel, 1 black nylon insert, 1 top rod + 1 bottom rod in aluminium, 1 rod cover of 1449 mm and 1 rod cover of 1037 mm in painted aluminium, 2 adjustable plugs in black galvanised zamak, 2 countersunk head screws Ø 4.2x16, 10 countersunk head screws Ø 4.2x13, 4 cap screws Ø 4.2x13, 2 cap screws Ø 4.2x19, 2 cap screws 4.8x13, 2 countersunk head screws M5x6 and 14 countersunk head screws M4x5 in galvanised steel. For doors with a clear width of 800 to 1240 mm and a max. height of 2450 mm.	1	3001, 6029, GREY



Article	Description	Pcs.	Finishes
6010.3/1200	JUVARRA (patented) Vertical rod non-handed panic bar with 3 locking points, push-bar version, in zamak and galvanised steel. Complete with: latch bolt in nickel plated zamak, 3 counterplates in galvanised steel and 1 counterplate in nylon, 1200 mm bar and 6 keepers in painted zamak, 1 top rod + 1 bottom rod in aluminium, 1 1340 mm rod cover and 1 1037 mm rod cover in painted aluminium, 2 adjustable plugs in black galvanised zamak, 2 countersunk head screws Ø 4.2x16, 14 countersunk head screws Ø 4.2x13, 6 cap screws Ø 4.2x13, 2 cap screws 4.8x13, 6 countersunk head screws M5x6 and 10 countersunk head screws M4x5 in galvanised steel. For doors with a clear width of 800 to 1240 mm and a max. height of 2450 mm.	1	3001, 6029, GREY

Modular items



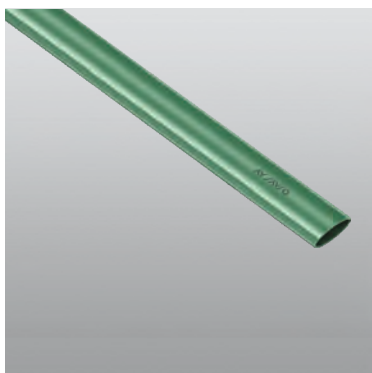
Article	Description	Pcs.	Finishes
6010.701	JUVARRA (patented) Kit with horizontal non-handed supports, 1 locking point, push-bar version, in painted zamak and galvanised steel. Complete with: latch bolt in nickel plated zamak, 1 counterplate in galvanised steel and 1 counterplate in nylon, 2 keepers in painted zamak, right and left nylon bar caps, 2 countersunk head screws 4.2x16, 4 countersunk head screws 4.2x13, 2 cap screws 4.2x13, 2 cap screws 4.8x13, 8 countersunk head screws M4x5 and 2 countersunk head screws M5x6 in galvanised steel (9010, GREY and SILV: 2 cap screws 4.2x13 in galvanised steel and 8 countersunk head screws M4x6 in stainless steel).	1	9005, 9010, GREY, SILV



Article	Description	Pcs.	Finishes
6010.702	JUVARRA (patented) Kit with non-handed vertical supports, 2 locking points, push-bar version, in painted zamak and galvanised steel. Complete with: 1 galvanised steel counterplate and 1 nylon counterplate, right and left nylon bar caps, 8 countersunk head screws Ø 4x5, 2 countersunk head screws M5x6, 4 countersunk head screws 4.2x13, 2 countersunk head screws 4.2x16 and 2 cap screws 4.8x13 in galvanised steel (9010, GREY and SILV: 8 countersunk head screws M4x6 in stainless steel).	1	9005, 9010, GREY, SILV



Article	Description	Pcs.	Finishes
6010.703	JUVARRA (patented) Kit with non-handed supports, 3 locking points, push-bar version, in painted zamak and galvanised steel. Complete with: latch bolt in nickel plated zamak, 1 counterplate in galvanised steel and 1 counterplate in nylon, 2 keepers in painted zamak, right and left nylon bar caps, 2 countersunk head screws 4.2x16, 4 countersunk head screws 4.2x13, 2 cap screws 4.2x13, 2 cap screws 4.8x13, 8 countersunk head screws M4x5 and 2 countersunk head screws M5x6 in galvanised steel (9010, GREY and SILV: 2 cap screws 4.2x13 in galvanised steel and 8 countersunk head screws M4x6 in stainless steel).	1	9005, 9010, GREY, SILV



Article	Description	Pcs.	Finishes
6010.B/860	Horizontal 860 mm bar in painted or stainless steel. For doors with leaf up to 900 mm.	1	3001, 6029, 9005, GREY, S
6010.B/1200	Horizontal 1200 mm bar in painted or stainless steel. For doors with leaf up to 1240 mm.	1	3001, 6029, 9005, 9010, GREY, S, SILV
6010.B/1500	Horizontal 1500 mm bar in painted or stainless steel. For doors with leaf up to 1540 mm.	1	3001, 6029, 9005, 9010, GREY, S, SILV



Article	Description	Pcs.	Finishes
6010.720	Standard vertical rods: 1 upper rod and 1 lower rod in aluminium, 1 rod cover 1037 mm and 1 rod cover 1449 mm in painted aluminium. For doors up to 2450 mm high.	1	9005, 9010, GREY, SILV

Modular items



Article	Description	Pcs.	Finishes
6010.721	Vertical rods: 1 upper rod and 1 lower rod in aluminium, 1 rod cover 1037 mm and 1 rod cover 2099 mm in painted aluminium, 1 adjustable plug in galvanised zamak, 1 countersunk head screws Ø 4.2x13 in galvanised steel. For doors from 2450 mm to 3100 mm high.	1	9005, 9010, GREY, SILV, XSD



Article	Description	Pcs.	Finishes
6010.730	(patented) Kit with top / bottom latch bolts in nickel plated zamak. Including: fastening counterplates in galvanised steel, 1 floor-mounted keeper in stainless steel + 1 black nylon insert, 2 adjustable plugs in galvanised zamak, 1 keeper in painted steel, 6 countersunk head screws Ø 4.2x13, 4 cap screws Ø 4.2x13, 2 cap screws Ø 4.2x19, 6 countersunk head screws M4x5 in galvanised steel (9010, GREY, PVD X, SILV: 4 countersunk head screws M4x5 in galvanised steel + 2 countersunk head screws M4x6 in stainless steel).	1	9005, 9010, GREY, PVD X, SILV



Article	Description	Pcs.	Finishes
6010.735R	(pat.) RH Kit with top/side latch bolts in painted zamak and galvanised steel, nickel plated latch bolt. Including: fastening counterplates in galvanised steel, 2 adjustable plugs in galvanised zamak, 2 keepers in painted zamak, 1 keeper in painted steel, 8 countersunk head screws Ø 4.2x13, 4 cap screws Ø 4.2x13, 2 cap screws Ø 4.2x19, 4 countersunk head screws M4x5 and 2 countersunk head screws M5x6 in galvanised steel (9010, GREY and SILV: 2 cap screws Ø 4.2x13, 2 cap screws Ø 4.2x19 and 2 countersunk head screws M4x5 in galvanised steel + 2 countersunk head screws M4x6 in stainless steel).	1	9005, 9010, GREY, SILV
6010.735L	Like 6010.735R but LH.	1	9005, 9010, GREY, SILV



Article	Description	Pcs.	Finishes
6010.740	(patented) Kit with side latch bolts in painted zamak and galvanised steel, nickel plated latch bolt. Including: fastening counterplates in galvanised steel, 2 keepers in painted zamak, 2 adjustable through-guides in galvanised zamak, 10 countersunk head screws Ø 4.2x13, 4 cap screws Ø 4.2x13, 2 countersunk head screws M4x5 and 4 countersunk head screws M5x6 in galvanised steel (9010, GREY, SILV: 4 cap screws Ø 4.2x13 in galvanised steel + 2 countersunk head screws M4x6 in stainless steel).	1	9005, 9010, GREY, SILV

External access devices



Article	Description	Pcs.	Finishes
6010.870	External access device, handle only, and grip in painted zamak, square spindle, 1 socket head cap screw M5x30 in white galvanised steel + 2 countersunk head screws M5x80 in black galvanised steel.	1	9005, 9010, GREY, SILV



Article	Description	Pcs.	Finishes
6010.873	External access device, idle handle, in painted zamak and galvanized steel, handle grip in zamak, shaped cylinder with different key combinations, 3 nickel plated keys, squared spindle in white galvanized steel, 2 countersunk head screw M5x80 in galvanized steel.	1	9005, 9010, GREY, SILV
6010.874	Like 6010.873 but with single key combination.	1	9005, 9010, GREY, SILV



Article	Description	Pcs.	Finishes
6010.875	External access device, idle handle, in painted zamak and galvanized steel, painted die-cast aluminium grip, European profile cylinder with different key combinations + 3 nickel plated keys, square spindle in white galvanised steel, 1 protection cap for transportation on site in plastic material, 1 security cap in steel, 1 socket head cap screw M5x30 in white galvanised steel + 2 countersunk head screws M5x80 in black galvanised steel. With "cylinder unlocked key retention device".	1	9005, 9010, GREY, SILV
6010.877	Like 6010.875 but with single key combination.	1	9005, 9010, GREY, SILV




Article	Description	Pcs.	Finishes
6010.876	External access device, idle handle, in painted zamak and galvanized steel, painted die-cast aluminium grip, without cylinder, square spindle in galvanized steel, 1 protection cap for transportation on site in plastic material, 1 security cap in steel, 1 socket head cap screw M5x30 in white galvanised steel + 2 countersunk head screws M5x80 in black galvanised steel. With "cylinder unlocked key retention device".	1	9005, 9010, GREY, SILV




Article	Description	Pcs.	Finishes
6000.879	External access device with reduced size handle, in painted zamak and galvanized steel, painted die-cast aluminium grip, European profile cylinder with different key combinations + 3 nickel plated keys, square spindle in white galvanised steel, 1 socket head cap screw M5x12 in white galvanised steel + 2 countersunk head screws M5x80 in black galvanised steel. With "cylinder unlocked key retention device". To use with the cam art. 6010.401.	1	9005


External access devices

	Article	Description	Pcs.	Finishes
	6000.880	Outside access device in painted zamak and galvanised steel, fixed handle with knob, European profile cylinder with different key combinations + 3 nickel plated keys, square spindle in galvanised steel, 2 countersunk head screws M5x80 in black galvanised steel. Preferably for use with the 1 locking point version. To use with the cam art. 6010.401.	1	9005, 9010, GREY, SILV

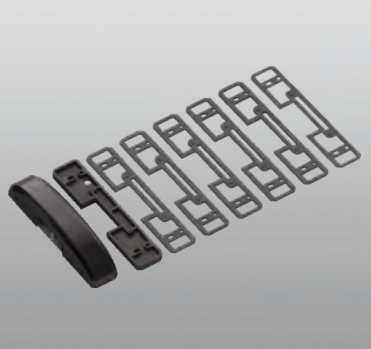
It's possible also to use the external access devices of BERNINI/CELLINI art. 6000.870/.873/.874/.875/.876/.877 with the cam art. 6010.401 (below indicated).

Complementary accessories

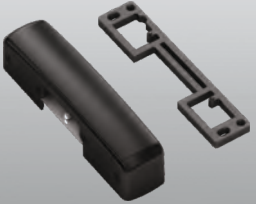
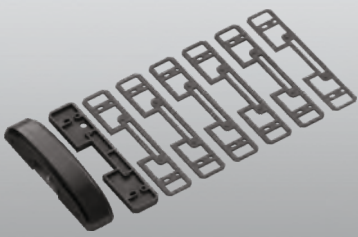

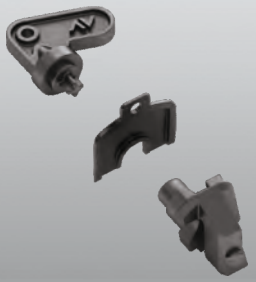

	Article	Description	Pcs.	Finishes
	6010.401	Cam in brass to use external access devices art. 6000.870/.873/.874/.875/.876/.877/.879/.880 on JUVARRA panic-device system.	5	

	Article	Description	Pcs.	Finishes
	6000.401	Cam in brass to use external access devices art. 6010.870/.873/.874/.875/.876/.877 on BERNINI and CELLINI panic-device system.	5	

	Article	Description	Pcs.	Finishes
	6010.815	Counterplate kit stainless steel, 2 countersunk head screws M5x6 in galvanised steel.	5	

	Article	Description	Pcs.	Finishes
	6010.820	Electric strike for profiles with height rebate of 0-4-5 mm, with cover in painted zamak, bottom plate and 4 cap screws Ø 3.9x25 in galvanised steel, 4 countersunk head screws M4x8 in stainless steel, black nylon spacers. Electrical feed: 12 V CA. With relay.	1	9005, 9010, GREY, SILV

Complementary accessories

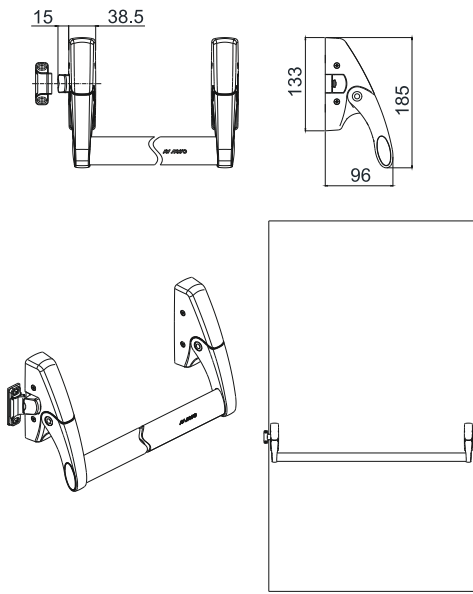
	<p>Article</p> <p>6010.821</p>	<p>Description</p> <p>Electric strike for flush profiles, with cover in painted zamak, bottom plate and 4 cap screws Ø 3.9x13 in galvanised steel, 4 countersunk head screws M4x8 in stainless steel, black nylon spacer. Electrical feed: 12 V CA. With relay.</p>	<p>Pcs.</p> <p>1</p>	<p>Finishes</p> <p>9005, 9010, GREY, SILV</p>
	<p>Article</p> <p>6010.824</p>	<p>Description</p> <p>Electric strike for profiles with height rebate of 0-4-5 mm, with cover in painted zamak, bottom plate and 4 cap screws Ø 3.9x25 in galvanised steel, 4 countersunk head screws M4x8 in stainless steel, black nylon spacers. Electrical feed: 12 V CA. Without relay.</p>	<p>Pcs.</p> <p>1</p>	<p>Finishes</p> <p>9005, 9010, GREY, SILV</p>
	<p>Article</p> <p>6010.825</p>	<p>Description</p> <p>Electric strike for flush profiles, with cover in painted zamak, bottom plate and 4 cap screws Ø 3.9x13 in galvanised steel, 4 countersunk head screws M4x8 in stainless steel, black nylon spacer. Electrical feed: 12 V CA. Without relay.</p>	<p>Pcs.</p> <p>1</p>	<p>Finishes</p> <p>9005, 9010, GREY, SILV</p>
	<p>Article</p> <p>6010.830</p>	<p>Description</p> <p>Dogging mechanism in black nylon and zamak.</p>	<p>Pcs.</p> <p>5</p>	<p>Finishes</p> <p>9005</p>
	<p>Article</p> <p>6010.842</p>	<p>Description</p> <p>1 Microswitch and 1 black nylon support, 1 cap screw Ø 2.2x13 in galvanised steel and 1 cap scap screw Ø 3.9x19 in stainless steel.</p>	<p>Pcs.</p> <p>5</p>	<p>Finishes</p>

Complementary accessories

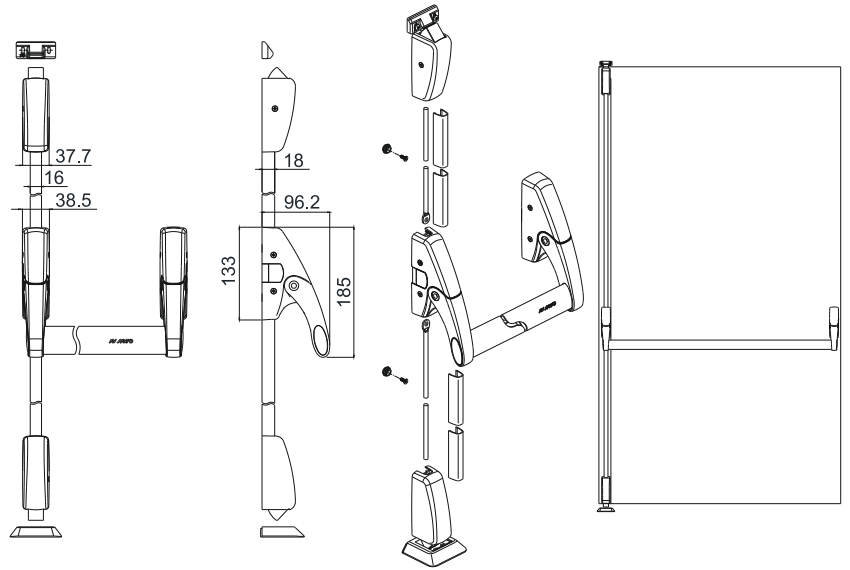
	Article 6000.843	Description Adjustable through-guides in galvanised zamak + 1 countersunk head screws Ø 3.9x13 in black galvanised steel.	Pcs. 20	Finishes
	Article 6000.890	Description BERNINI and JUVARRA exit sign plate.	Pcs. 10	Finishes
	Article 6000.897	Description Fastening kit for external access device for profiles with section up to 100 mm, 1 squared spindle of 8 mm in white galvanized steel, 2 countersunk head screw M5x110 in white galvanized steel.	Pcs. 20	Finishes
	Article 6000.899	Description Handle rotation limiter device in galvanized zamak. To use BERNINI and JUVARRA external handles on CIRCEO panic device.	Pcs. 20	Finishes
	Article 6000.952	Description Aluminium drilling jig for external access devices art. 6010.875/.876/.877 and 6000.875/.876/.877/.879/.880.	Pcs. 1	Finishes

Complete kits

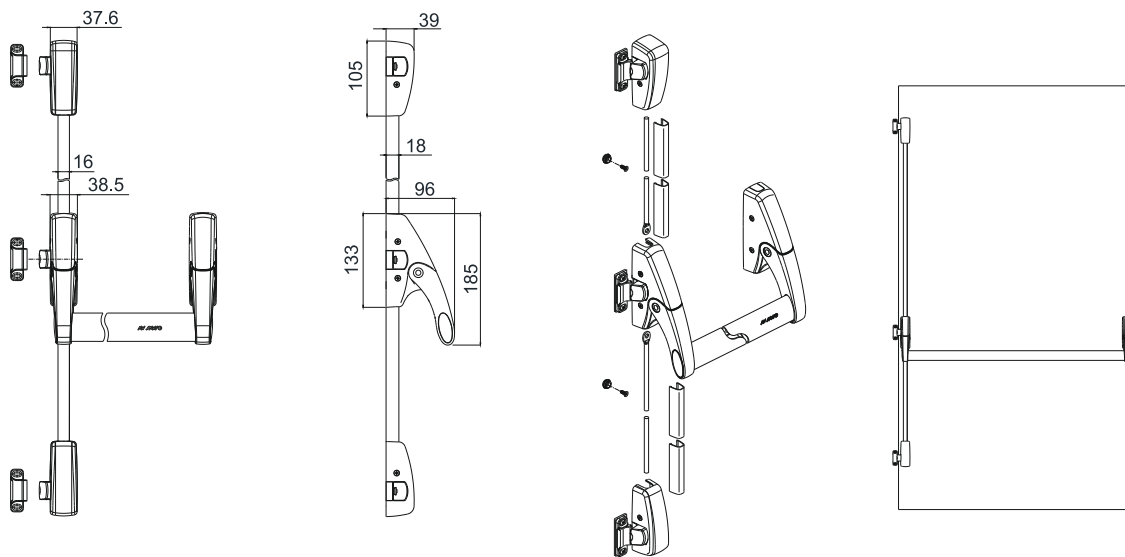
6010.1/1200



6010.2/1200

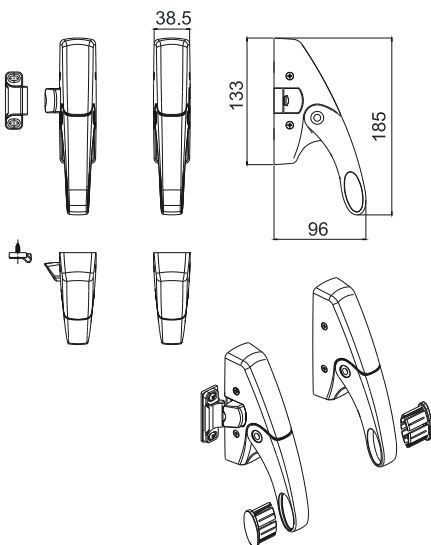


6010.3/1200

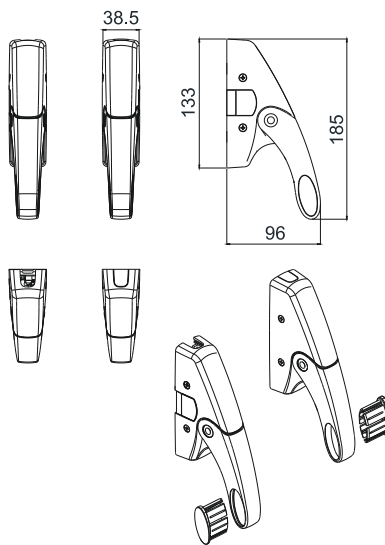


Modular items

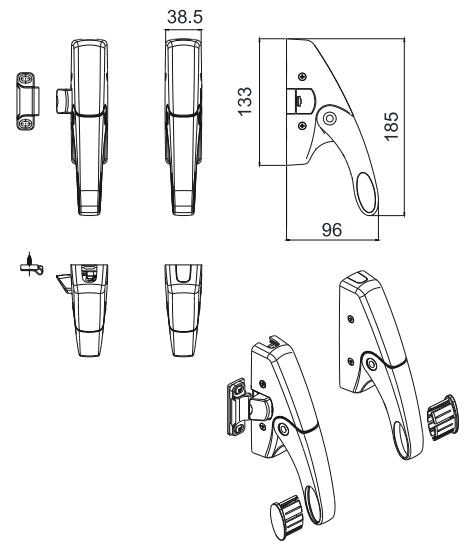
6010.701



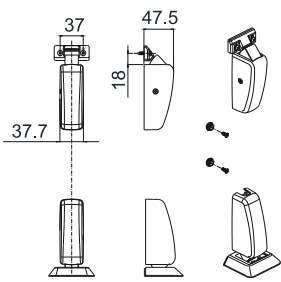
6010.702



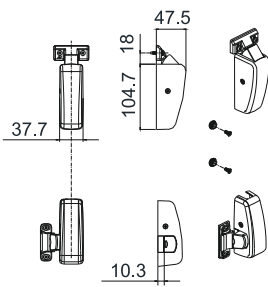
6010.703



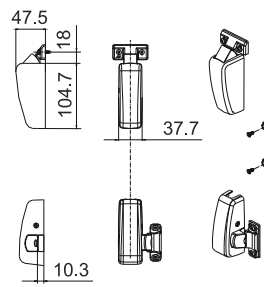
6010.730



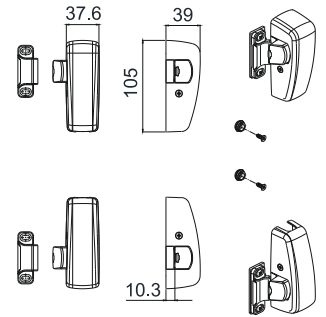
6010.735R



6010.735L

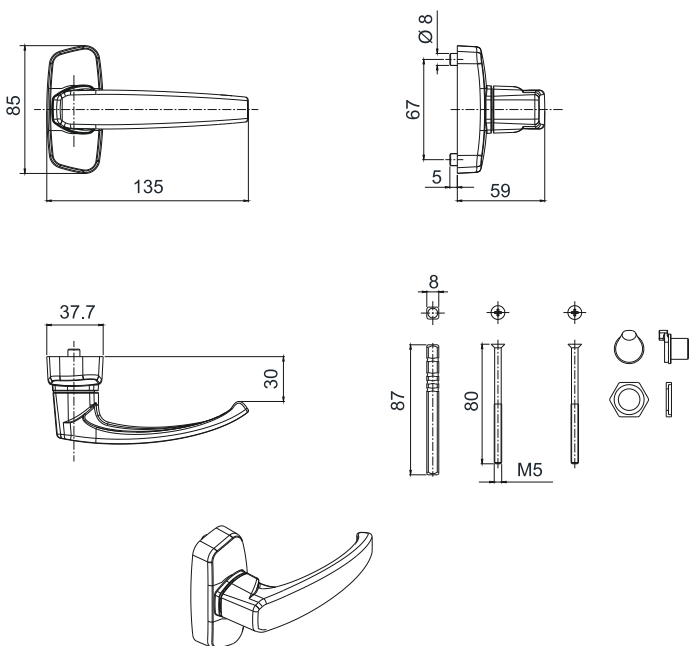


6010.740

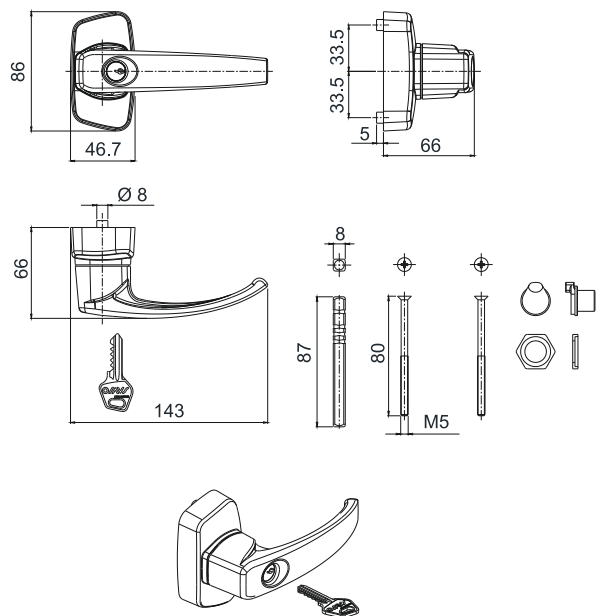


External access devices

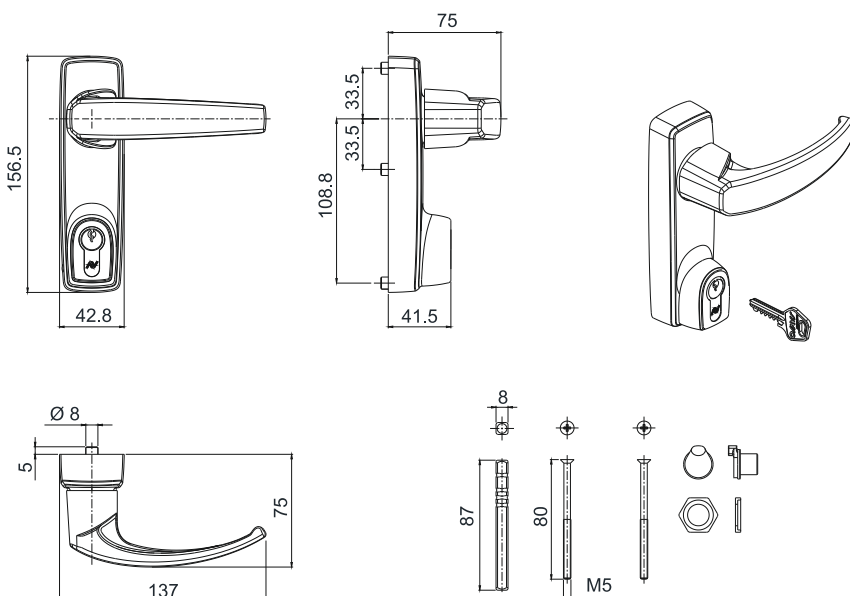
6010.870



6010.873 - 6010.874

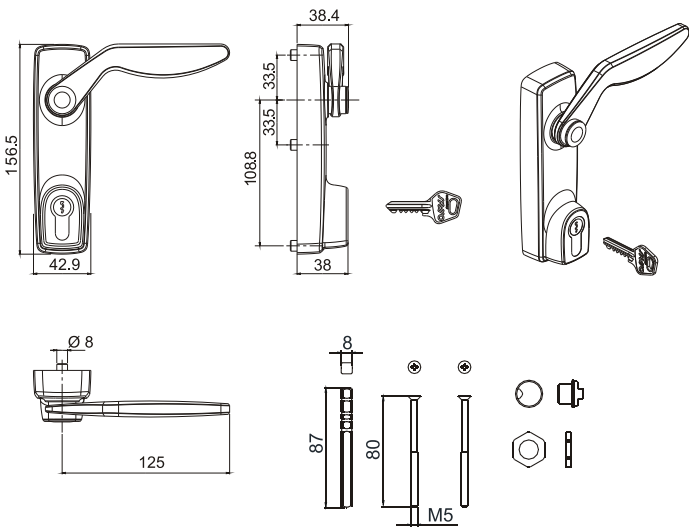


6010.875 - 6010.876 - 6010.877

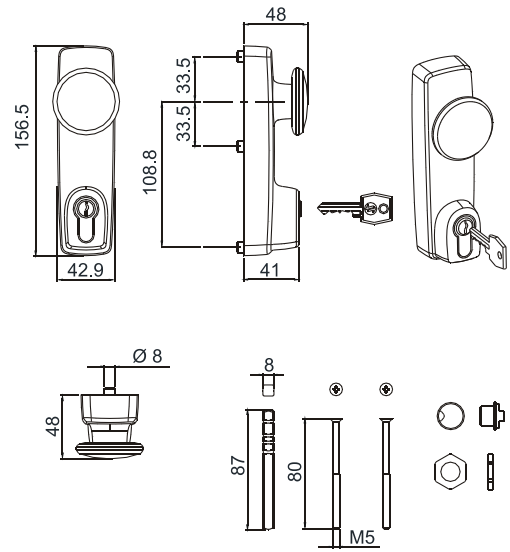


External access devices

6000.879

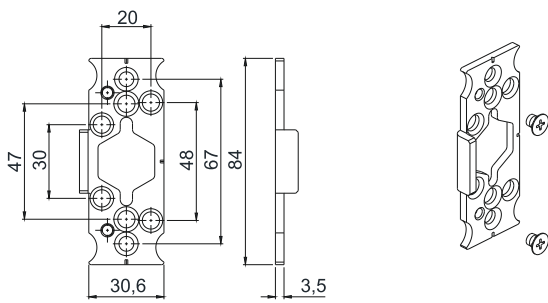


6000.880

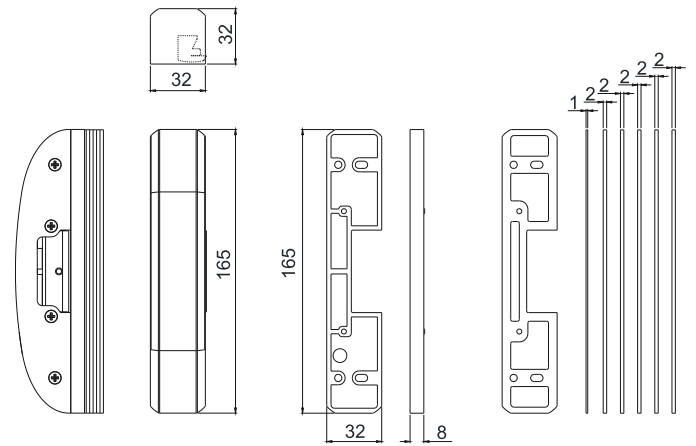


Complementary accessories

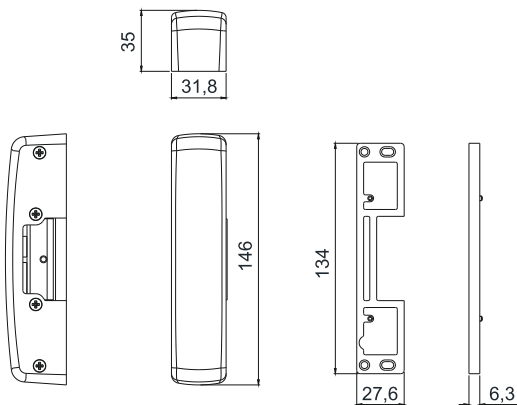
6010.815



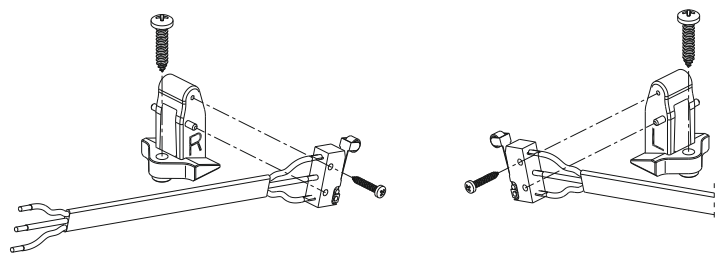
6010.820 - 6010.824



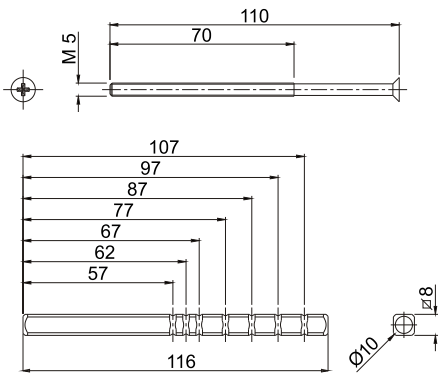
6010.821 - 6010.825



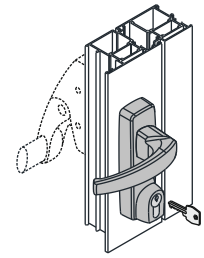
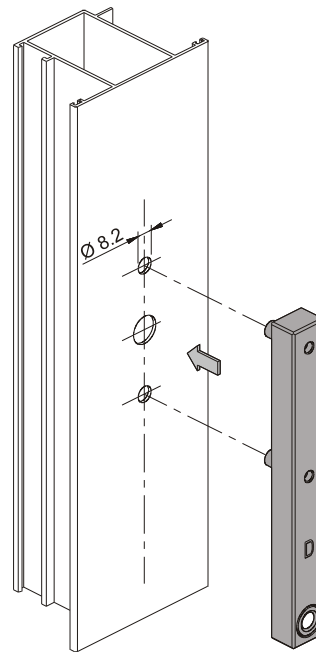
6010.842



6000.897



6000.952

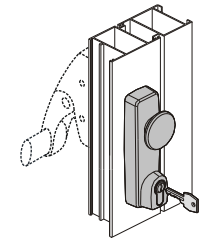


6000.879

6010.875

6010.876

6010.877

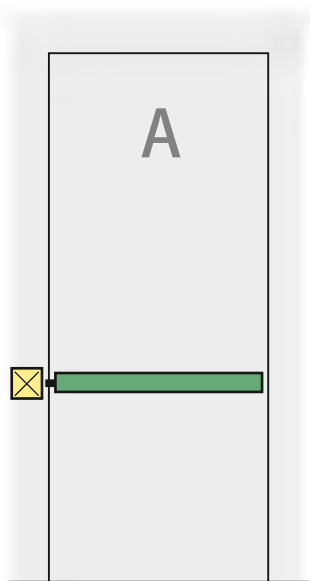


6000.880

Certified application schemes for single door

Legend:

JUVARRA alternative configurations

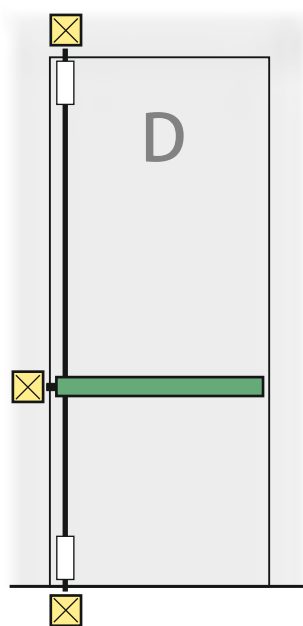


Application A:

JUVARRA
6010.1/1200

6010.701 + 6010.B

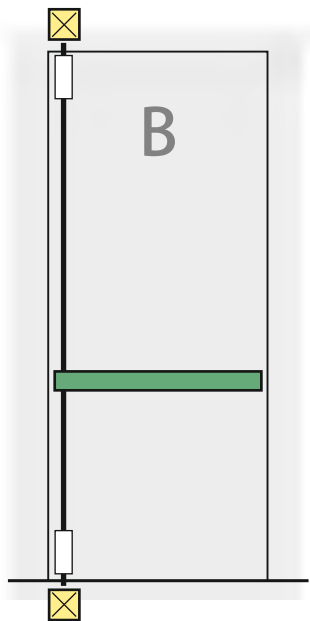
6010.703 + 6010.B



Application D:

JUVARRA

6010.703 + 6010.B +
6010.720/.721 +
6010.730

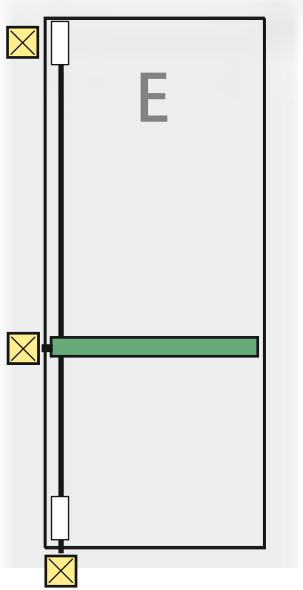


Application B:

JUVARRA
6010.2/1200

6010.702 + 6010.B
+ 6010.720/.721 +
6010.730

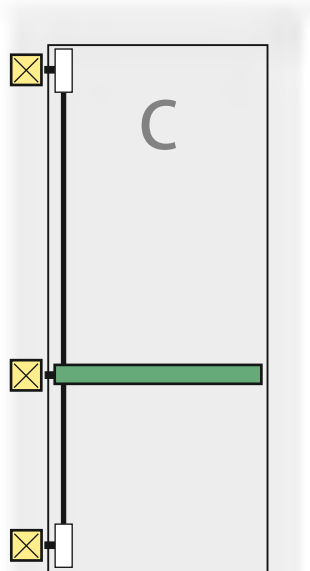
6010.703 + 6010.B
+ 6010.720/.721 +
6010.730



Application E:

JUVARRA

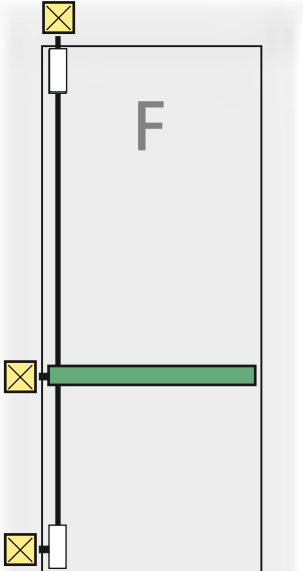
6010.703 + 6010.B +
6010.720/.721 +
6010.730 + 6010.740



Application C:

JUVARRA
6010.3/1200

6010.703 + 6010.B +
6010.720/.721 +
6010.740



Application F:

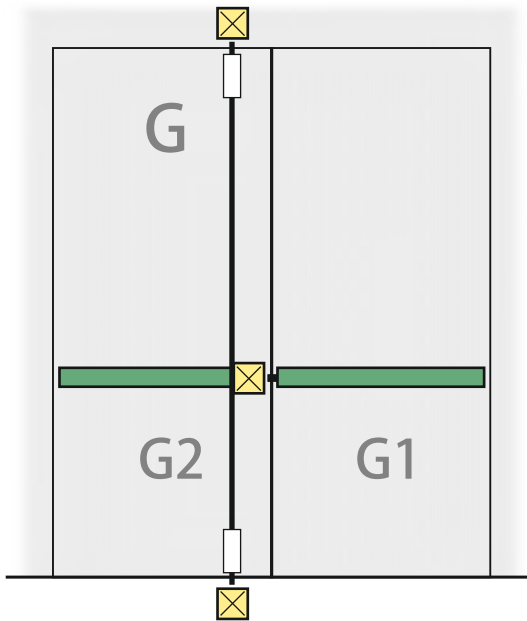
JUVARRA

6010.703 + 6010.B +
6010.720/.721 +
6010.735R/L

Certified application schemes for double door

Legend:

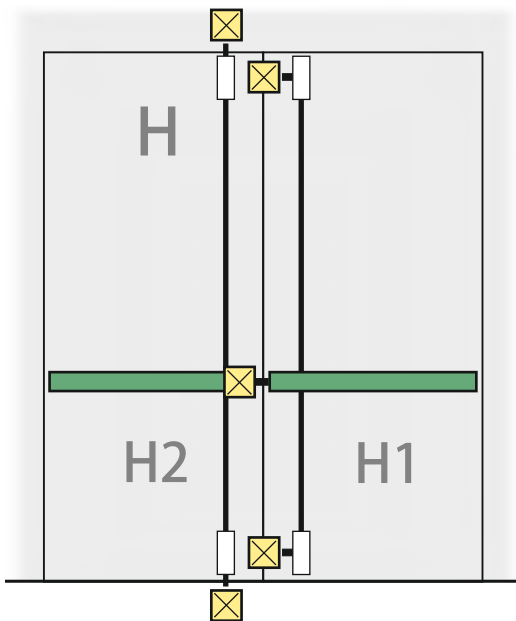
JUVARRA alternative configurations

**Application G:****G1 JUVARRA**

6010.1/1200
 6010.701 + 6010.B
 6010.703 + 6010.B

G2 JUVARRA

6010.2/1200
 6010.702 + 6010.B + 6010.720/721 + 6010.730
 6010.703 + 6010.B + 6010.720/721 + 6010.730

**Application H:****H1 JUVARRA**

6010.3/1200
 6010.703 + 6010.B + 6010.720/721 + 6000.740

H2 JUVARRA

6010.2/1200
 6010.702 + 6010.B + 6010.720/721 + 6010.730
 6010.703 + 6010.B + 6010.720/721 + 6010.730



Savio S.p.A.

Via Torino, 25 (s.s. 25) - 10050 Chiusa S. Michele (TO)

tel. +39 011 964 3464 - fax +39 011 964 3474

www.savio.it - export@savio.it

