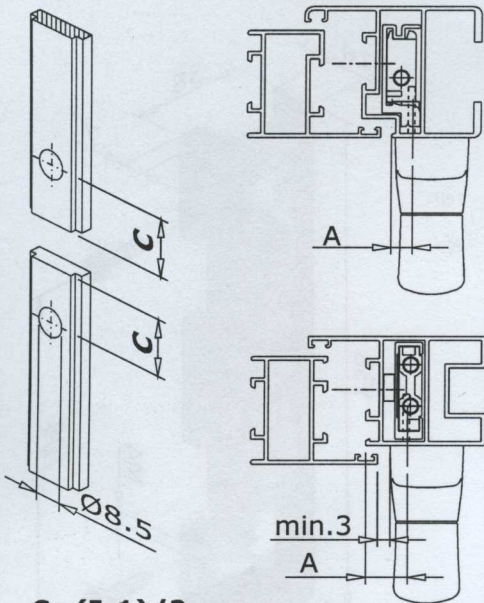
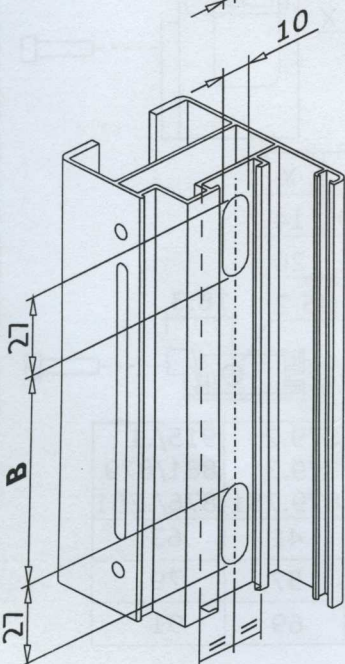
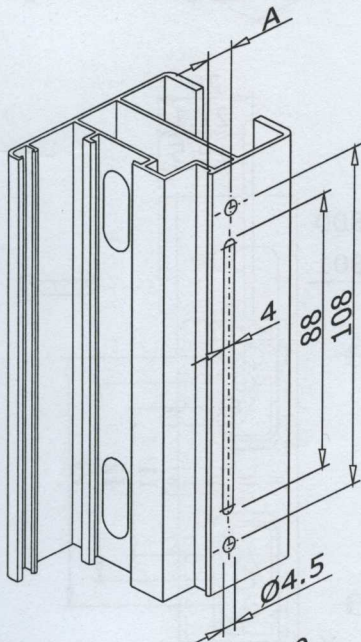


1475.9

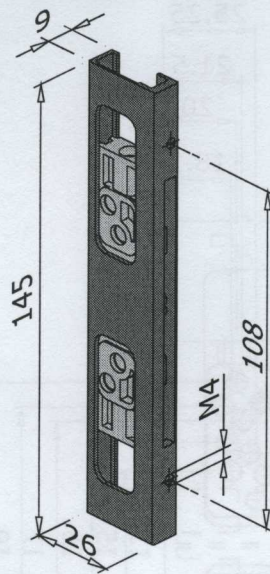
1475.5



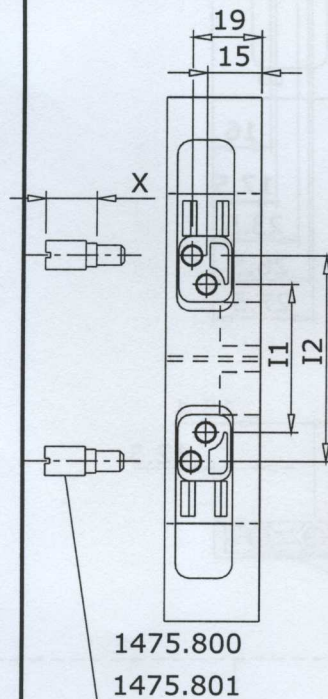
$C = (I-1)/2$



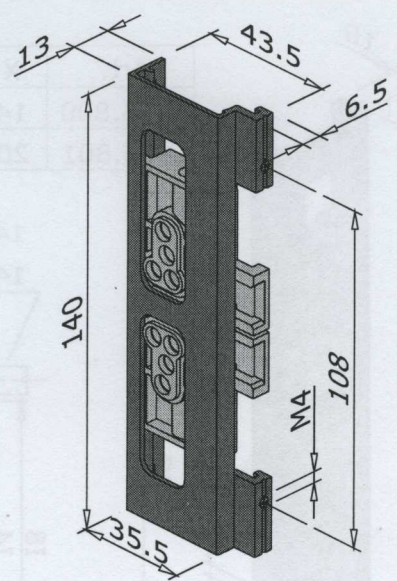
$B = I-12$



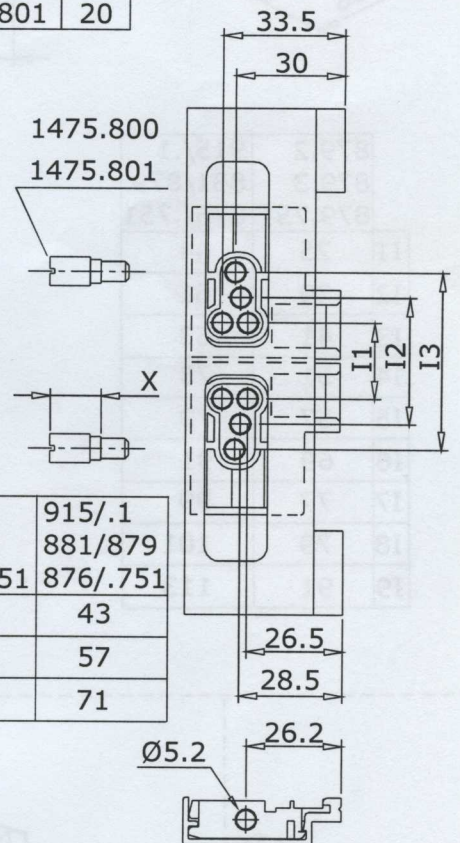
Art.	X
1475.800	14
1475.801	20



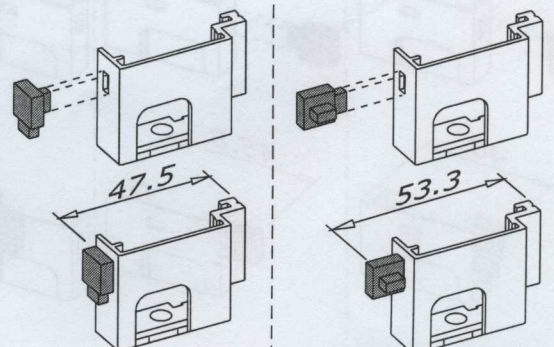
	879.2	915/.1
	879.3	881/879
	879.751	876/.751
I1	41	63
I2	57	79



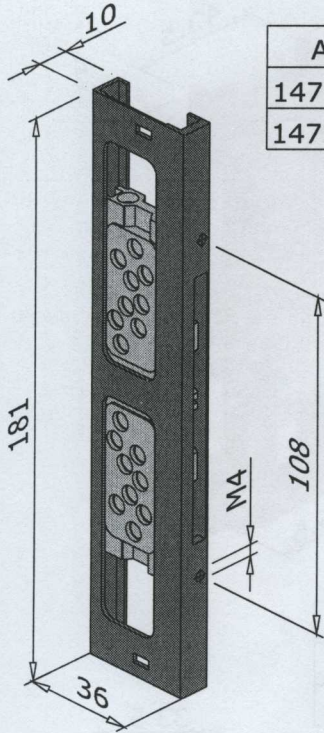
Art.	X
1475.800	14
1475.801	20



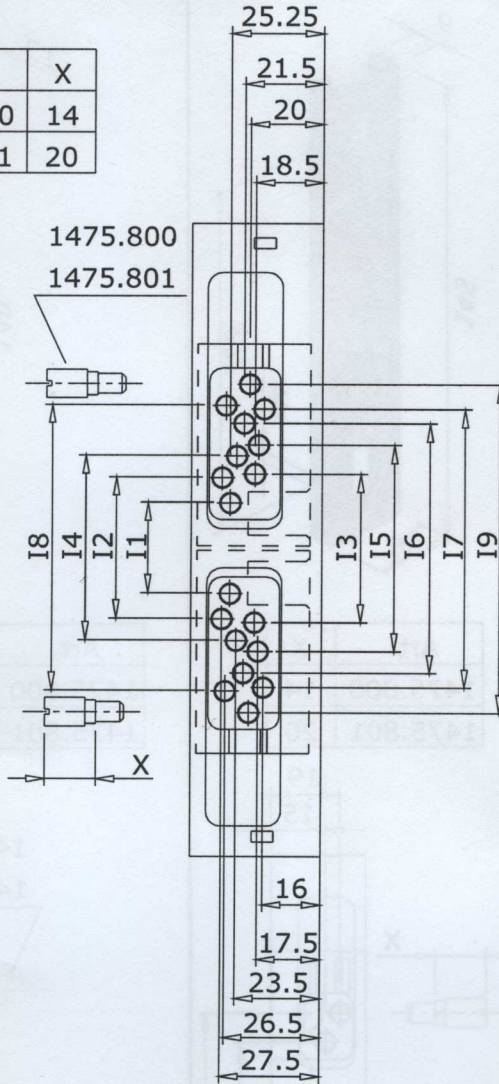
	879.2	915/.1
	879.3	881/879
	879.751	876/.751
I1	21	43
I2	35	57
I3	49	71



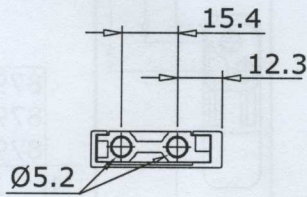
1475.6 - 1475.8



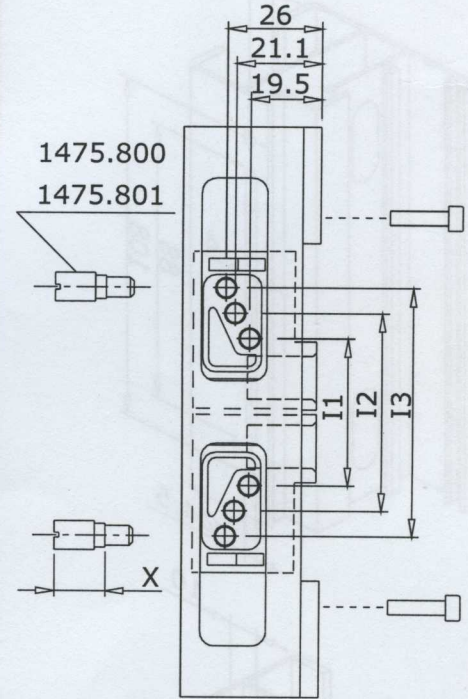
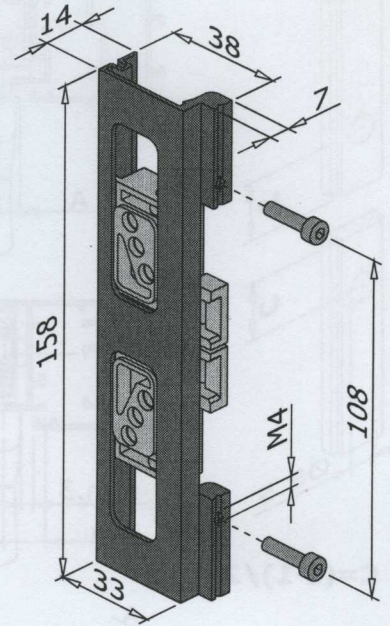
Art.	X
1475.800	14
1475.801	20



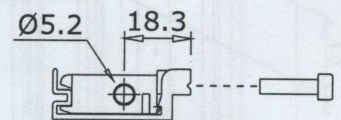
	879.2	915/.1
I1	25	44
I2	39	61
I3	41	63
I4	51	73
I5	57	79
I6	69	91
I7	77	99
I8	79	101
I9	91	113



1475.7



Art.	X
1475.800	14
1475.801	20



	879.2	915/.1
I1	41	63
I2	57	79
I3	69	91

